



# EVOLUTION 160 LABELLER



## INDUSTRIAL STRENGTH

- ❖ Stainless steel fasteners and aluminium cast structure
- ❖ Operating 24/7

## DESIGN AND STATE-OF-THE-ART TECHNOLOGY

- ❖ Label reel housing fitted with a special inflexible fibreglass polymer disk
- ❖ Metallic black colour epoxy powder paintwork, scratch and corrosion proof
- ❖ Drive unit easy to open and totally accessible to guarantee quick interventions
- ❖ Integrated Control Unit

## VERSATILITY

- ❖ EVOLUTION 160 can apply labels on top, bottom, in front, on the back, on the side and around the corner of the product, and are available in right or left hand versions
- ❖ Labels reel housing available up to Ø 360 mm
- ❖ Limited space required

## SAFETY

- ❖ Sharp edges; encased or button head screws reel housing and liner rewinder disks designed without holes for maximum safety.

**CE marking (in conformity with 98/37/CE standard)**

## MAIN CHARACTERISTICS :

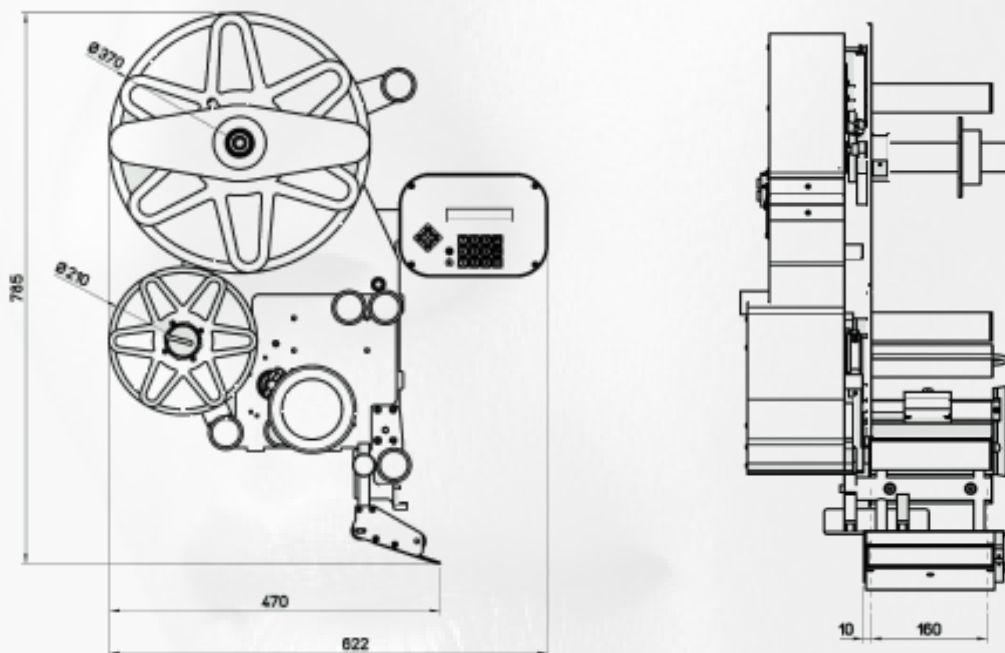
- ❖ Label reel housing diameter : External reel max. 360mm, core 45 or 75mm
- ❖ Usable liner width: Max 160 mm, Min 12 mm
- ❖ Dispensable label width: Max. 156 mm Min. 8 mm
- ❖ Minimum gap between labels: 2 mm
- ❖ Max dispensing speed : 50 meters / min (\*)
- ❖ Labelling frequency : up to 800 labels / min. (\*)
- ❖ Accuracy : +/- 0.5 mm (\*\*)
- ❖ Power Supply : 230V - 50 Hz or 110V and 60 Hz

(\*) effective application frequency depends on the dimensions and materials used for the labels and liners, gap between products, and type of peeler/appliator installed.

(\*\*) with a standard rigid peeler and state-of-the-art labels, contained within  $\pm 0.5$  mm).

The machine frame includes:

- ❖ a control unit integrated and equipped with operator interface panel(multi-language menu) with membrane keyboard and back lit LCD. The firmware allows for the memorization of 100 "label programs" recalling many different settings : pre-dispensing, labelling speed, labelling point (application delay), encoder management, acceleration ramp, etc.



**Available with Various Supports, Adjustments, Applicators.....**

